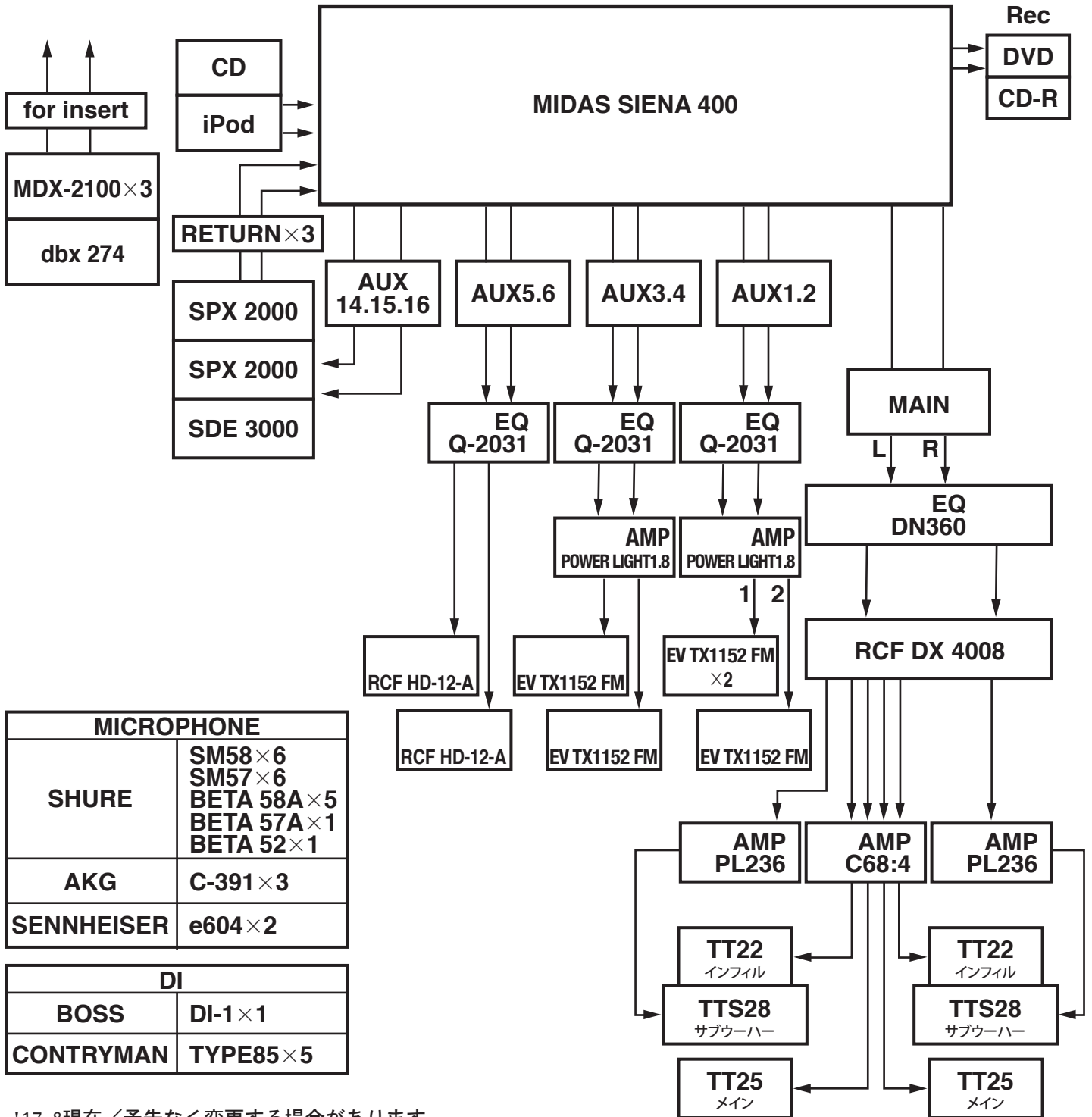


PA system

Main	Console: MIDAS SIENA 400		
	Full range speaker: RCF TT25 × 2(メイン),TT22 × 2(インフィル)		
Monitor	Sub woofer: RCF TTS28 × 2		
	Full range amplifier: LAB,GRUPPEN C68:4		
	Sub woofer amplifier: QSC PL236 × 2		
	Processor: RCF DX4008		
	Graphic equalizer: KLARK-TEKNIK DN360		
	Speaker: EV TX1152 FM × 5		
Effector	RCF HD 12-A × 2(SIDE)		
	Amplifier: QCS POWER LIGHT1.8 × 3		
	Graphic equalizer: YAMAHA Q2031A × 1		
Microphone	YAMAHA Q2031B × 2		
	dbx 274		
	BEHRINGER MDX 2100 × 3		
	YAMAHA SPX 2000 × 2		
	Roland SDE-3000		
Microphone stand	Dynamic: SHURE SM58LCE × 6		
	SHURE SM57LCE × 6		
	SHURE BETA58A × 5		
	SHURE BETA57A		
	SHURE BETA52		
	SENNHEISER e604 × 2		
Audio hardware	Condenser: AKG C-391 × 3		
	Direct box: BOSS DI-1 × 1		
	CONTRYMAN TYPE85 × 5		
	210 × 9 259 × 11 200 × 1		
Amplifier etc	CD deck: DENON DCD-CX3		
	TASCAM CD-RW900SL		
	TASCAM CD-RW750		
	DVD deck: TASCAM DV-D01U		
	TOSHIBA DBR-Z110		
DJ	Projector: EPSON EMP-54/screen:100inch		
	Guitar AMP: Roland JC-120J		
	Fender Twin Reverb BLK panel re issue		
	(Head): Marshall 1959 100w re issue 4input		
	(Speaker): Marshall 1960 BX		
	Marshall 2000 TSL-100(☆)		
	Bass AMP(Head): GALLIEN-KRUEGER 800RB		
	(Speaker): AMPEG SVT 810E		
	Drums: YAMAHA YD-9000		
	BD/22",TT/8",10",12",13",16",SNARE/14"		
DJ	Cymbals: Zildjan		
	Clash/ROCK CLASH:16",18"		
	Ride/ROCK RIDE:21"		
	Hi-hat/New Beat Hihats:14"		
	Keyboard: M-AUDIO Pro Key 88(☆)		
DJ	DJ Mixer: PIONEER DJM-700(☆)		
	Turntable: Technics SL-1200MK3 × 2		
	CDJ: PIONEER CDJ-1000 MK3 × 2(☆)		



MICROPHONE	
SHURE	SM58×6
	SM57×6
	BETA 58A×5
	BETA 57A×1
	BETA 52×1
AKG	C-391×3
SENNHEISER	e604×2

DI	
BOSS	DI-1×1
CONTRYMAN	TYPE85×5

*17.8現在/予告なく変更する場合があります。

